

# PARTS LIST

## [XV-S40BK/XV-S42SL/XV-S45GD [XV-S30BK/XV-E100SL]

\* All printed circuit boards and its assemblies are not available as service parts.

### Area Suffix (XV-S30BK/XV-S40BK)

C ---- Canada  
J ---- U.S.A.

### Area Suffix (XV-S42SL)

A ----- Australia  
C ----- Canada  
UG --- Turkey, South Africa, Egypt  
UP ---- Korea  
US ---- Singapore  
UW --- Brazil, Mexico, Peru

### Area Suffix (XV-S45GD)

J ----- U.S.A.

### Area Suffix (XV-E100SL)

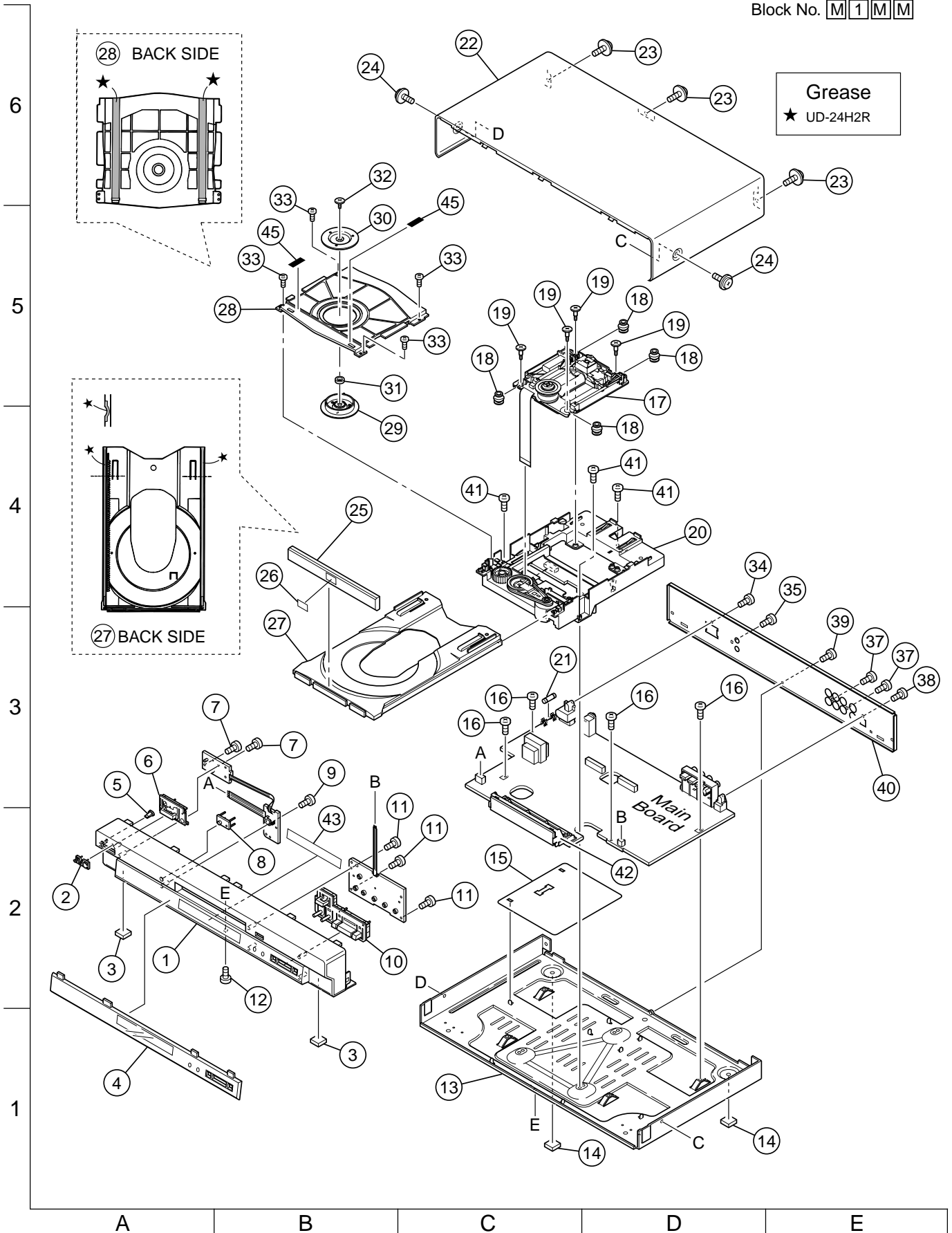
J ----- U.S.A.  
C ----- Canada  
UB ---- Hong Kong  
UP ---- Korea  
US ---- Singapore

### - Contents -

Exploded view of general assembly and parts list .....	3-2
DVD Traverse mechanism assembly and parts list .....	3-5
DVD Loading mechanism assembly and parts list .....	3-7
Electrical parts list .....	3-9
Packing materials and accessories parts list .....	3-16

# Exploded view of general assembly and parts list

Block No. M1MM



■ Parts list (General assembly)

Block No. M1MM

△	Item	Parts number	Parts name	Q'ty	Description	Area
	1	LE10251-246A	FRONT PANEL	1		1,2
		LE10251-244A	FRONT PANEL	1		5,7,8,9,10
		LE10251-245A	FRONT PANEL	1		11
		LE10251-247A	FRONT PANEL	1		12,13
		LE10251-248A	FRONT PANEL	1		14,15,16
		LE10251-241A	FRONT PANEL	1		3,4
		LE10251-243A	FRONT PANEL	1		6
	2	GN40006-001A	JVC MARK	1		1,2,3,4,11
		GN40006-002A	JVC MARK	1		5-10,12-16
	3	E75896-001	FELT SPACER	2		1-11
		LE40798-001A	SPACER	2		12,13,14,15,16
	4	LE30898-001A	WINDOW SCREEN	1		1,2
		LE20535-006A	WINDOW SCREEN	1		5,7,8,9,10
		LE20535-005A	WINDOW SCREEN	1		3,4,6,11
		LE20535-011A	WINDOW SCREEN	1		12,13
		LE20535-002A	WINDOW SCREEN	1		14,15,16
	5	LE30900-001A	INDICATOR	1		
	6	LE20537-001A	PUSH BUTTON	1		1,2,3,4
		LE20537-002A	PUSH BUTTON	1		5-10,12-16
		LE20537-003A	PUSH BUTTON	1		11
	7	QYSBSF2608Z	T.SCREW	2		
	8	LE30899-001A	REMOTE LENS	1		1,2,3,4
		LE30899-002A	REMOTE LENS	1		5-16
	9	QYSBSF2608Z	T.SCREW	1		
	10	LE20538-001A	PUSH BUTTON	1		1,2,3,4
		LE20538-002A	PUSH BUTTON	1		5-10,12-16
		LE20538-003A	PUSH BUTTON	1		11
	11	QYSBSF2608Z	T.SCREW	3		
	12	QYSDSG3008M	SCREW	1		1,2,3,4
		QYSDSG3008N	T.SCREW	1		5-16
	13	LE10250-002A	CHASSIS BASE	1		
	14	E75896-001	FELT SPACER	2		1-11
		LE40798-001A	SPACER	2		12,13,14,15,16
	15	LE40768-002A	PROTECT SHEET	1		1-4,6,11-13
		LE40768-003A	PROTECT SHEET	1		5,7-10,14-16
	16	QYSBSGG3008E	T.SCREW	4		
	17	-----	TRAVERSE MECHANISM	1	See 3-5 page	
	18	LV41659-201A	INSULATOR	4		
	19	LV41424-001A	SPECIAL SCREW	4		
	20	-----	LOADING MECHANISM	1	See 3-7 page	
△	21	QMF51U1-1R6-J8	FUSE	1		1-4,6,11-13
△		QMF51E2-1R6-J1	FUSE	1		5,7-10,14-16
	22	LE20541-001A/S/	METAL COVER	1		1,2,3,4
		LE20541-002A/S/	METAL COVER	1		5-10,12-16
		LE20541-003A/S/	METAL COVER	1		11
	23	QYSBSGG3008E	T.SCREW	3		

Explanation of area column

1 =XV-S30BK ver. C	5 =XV-S42SL ver. A	9 =XV-S42SL ver. US	13 =XV-E100SL ver. C
2 =XV-S30BK ver. J	6 =XV-S42SL ver. C	10 =XV-S42SL ver. UW	14 =XV-E100SL ver. UB
3 =XV-S40BK ver. C	7 =XV-S42SL ver. UG	11 =XV-S45GD ver. J	15 =XV-E100SL ver. UP
4 =XV-S40BK ver. J	8 =XV-S42SL ver. UP	12 =XV-E100SL ver. J	16 =XV-E100SL ver. US

■ Parts list (General assembly)

Block No. M1MM

△	Item	Parts number	Parts name	Q'ty	Description	Area
	24	E406308-003	SPECIAL SCREW	2		1,2,3,4
		E406308-004	SPECIAL SCREW	2		5-16
	25	LE20536-001A	FITTING	1		1,2,3,4
		LE20536-002A	FITTING	1		5,6,7,8,9,10
		LE20536-003A	FITTING	1		11
		LE20536-005A	FITTING	1		12,13,14,15,16
	26	LE40757-002A	MARK	1		12,13,14,15,16
	27	LV10455-002A	TRAY	1		
	28	LV20913-002A	CLAMPER BASE	1		
	29	LV32417-001A	CLAMPER	1		
	30	LV42089-001A	YOKE	1		
	31	LV41118-003A	MAGNET	1		
	32	LV41741-001A	SPECIAL SCREW	1		
	33	QYSBSF2008Z	SCREW	4		
	34	QYSBSGY3008M	SPECIAL SCREW	1	AC INLET	
	35	QYSBSGY3008M	SPECIAL SCREW	1	COMPU LINK	3-16
	37	QYSBSGY3008M	SPECIAL SCREW	2	VIDEO OUT	
	38	QYSBSGY3008M	SPECIAL SCREW	1	OPTICAL OUT	3-16
	39	QYSBSGY3008M	SPECIAL SCREW	1	REAR + CHASSIS	
	40	LE20542-029A	REAR PANEL	1		1,2
		LE20542-026A	REAR PANEL	1		10
		LE20542-028A	REAR PANEL	1		11
		LE20542-049A	REAR PANEL	1		12,13
		LE20542-050A	REAR PANEL	1		14,16
		LE20542-052A	REAR PANEL	1		15
		LE20542-023A	REAR PANEL	1		3,4
		LE20542-014A	REAR PANEL	1		5
		LE20542-025A	REAR PANEL	1		6
		LE20542-008A	REAR PANEL	1		7
		LE20542-022A	REAR PANEL	1		8
		LE20542-010A	REAR PANEL	1		9
	41	QYSBSG3010E	T.SCREW	3		
	42	LE20540-001A	FL HOLDER	1		
	43	LE40759-001A	FL SCREEN	1		12,13,14,15,16
	45	LE30001-031A	SPACER	2		1-4,6,11-13

Explanation of area column

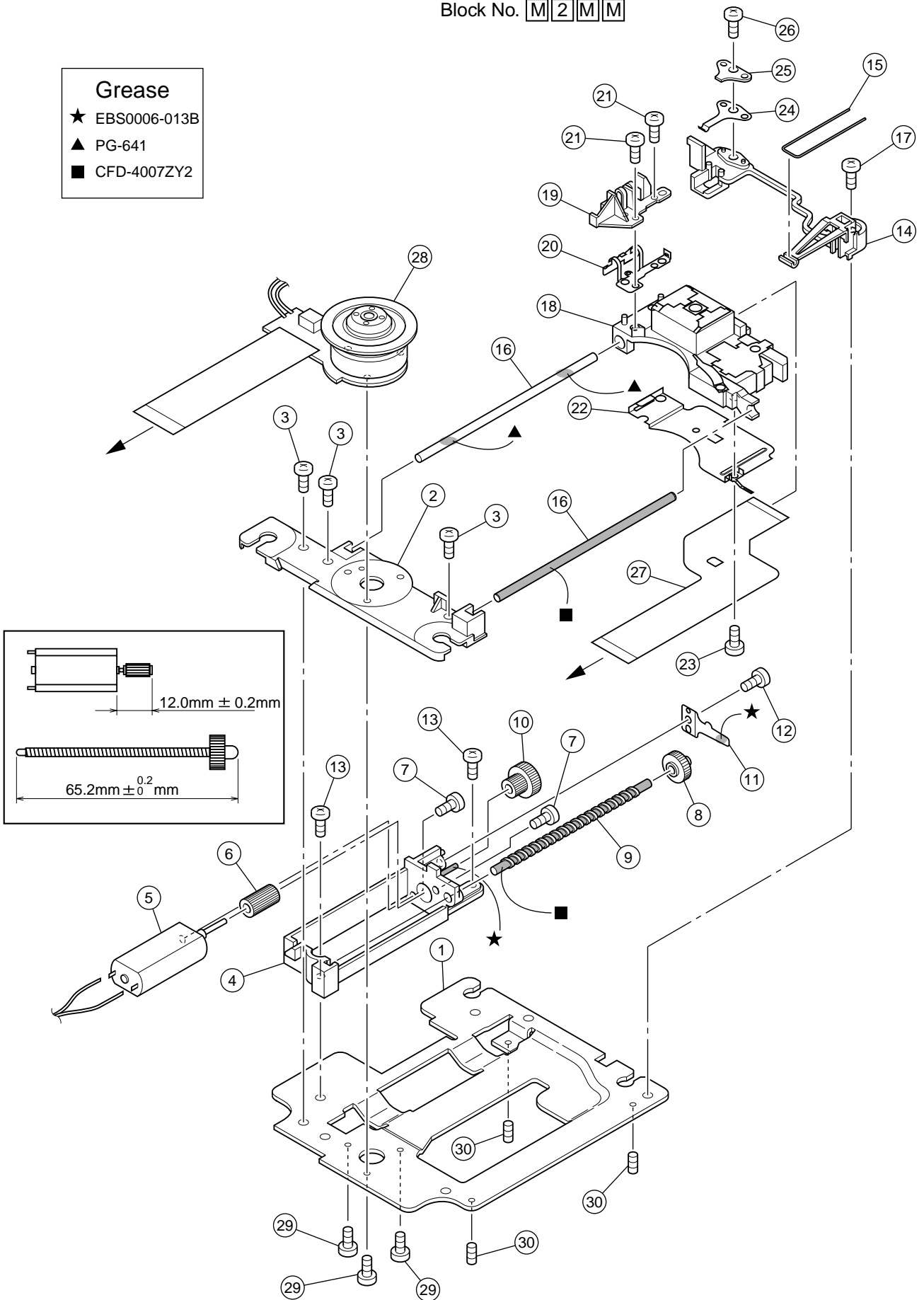
1 =XV-S30BK ver. C	5 =XV-S42SL ver. A	9 =XV-S42SL ver. US	13 =XV-E100SL ver. C
2 =XV-S30BK ver. J	6 =XV-S42SL ver. C	10 =XV-S42SL ver. UW	14 =XV-E100SL ver. UB
3 =XV-S40BK ver. C	7 =XV-S42SL ver. UG	11 =XV-S45GD ver. J	15 =XV-E100SL ver. UP
4 =XV-S40BK ver. J	8 =XV-S42SL ver. UP	12 =XV-E100SL ver. J	16 =XV-E100SL ver. US

# DVD Traverse mechanism assembly and parts list

Block No. **M** **2** **M** **M**

**Grease**

- ★ EBS0006-013B
- ▲ PG-641
- CFD-4007ZY2



## ■ Parts list (DVD Traverse mechanism assembly)

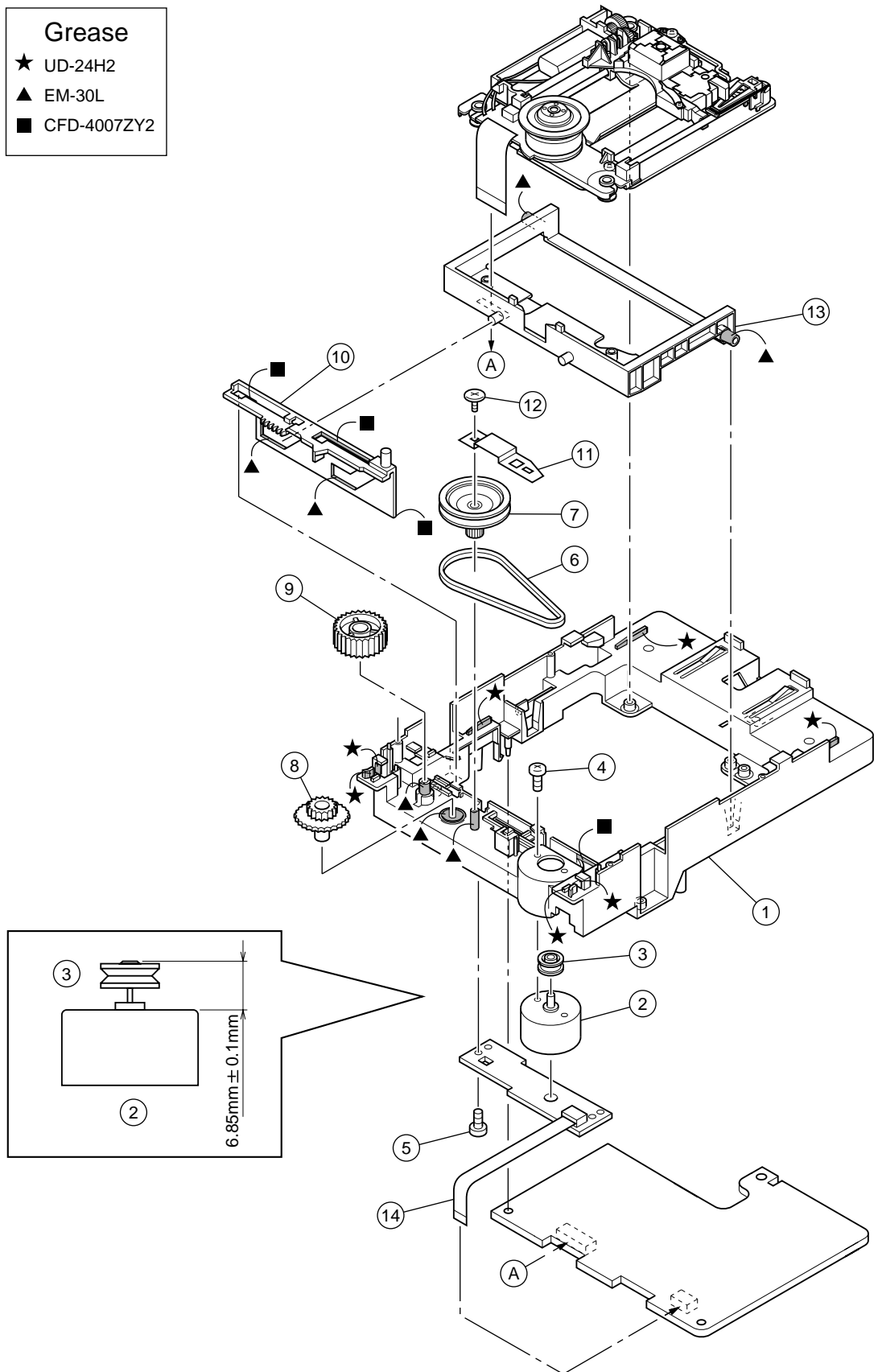
Block No. M2MM

△	Item	Parts number	Parts name	Q'ty	Description	Area
	1	LE20520-002A	MECHA BASE	1		
	2	LE20516-001A	SPINDLE BASE	1		
	3	QYSDST2605M	TAPPING SCREW	3		
	4	LE30909-001A	HOLDER	1		
	5	QAR0165-001	FEED MOTOR	1		
	6	LV41510-001A	FEED GEAR	1		
	7	QYSPSPU2040M	SCREW	2		
	8	LV41512-001A	FEED GEAR	1		
	9	LV41517-003A	LEAD SCREW	1		
	10	LV41511-002A	FEED GEAR	1		
	11	LE40742-001A	TORSION SPRING	1		
	12	QYSDSF2005Z	SCREW	1		
	13	QYSDST2605M	TAPPING SCREW	2		
	14	LE20517-001A	HOLDER	1		
	15	LE40744-001A	SPRING	1		
	16	LV41121-002A	SLIDE SHAFT	2		
	17	QYSDST2605M	TAPPING SCREW	1		
	18	QAL0342-001	OPTICAL PICK-UP	1		
	19	LE20519-001A	ACTUATOR	1		
	20	LE30886-001A	SPRING	1		
	21	QYSPSFU1740Z	SCREW	2		
	22	LE30888-003A	SPRING	1		
	23	QYSPSGU1430Z	SCREW	1		
	24	LE40743-001A	SPRING	1		
	25	LE40774-001A	PLATE	1		
	26	QYSDST2606Z	SCREW	1		
	27	QAL0284-001	F.P.C.WIRE ASSY	1		
	28	QAR0162-001	SPINDLE MOTOR	1		
	29	QYSPSPU1760Z	SCREW	3		
	30	QYYASPF2608N	SCREW	3		

# DVD Loading mechanism assembly and parts list

Block No. **M3M**

- Grease**
- ★ UD-24H2
  - ▲ EM-30L
  - CFD-4007ZY2



■ Parts list (DVD Loading mechanism assembly)

Block No. M3MM

△	Item	Parts number	Parts name	Q'ty	Description	Area
	1	LV10454-007A	LOADING BASE	1		
	2	QAR0164-001	MOTOR	1		
	3	LV42087-001A	MOTOR PULLEY	1		
	4	QYSPSPU1730Z	SCREW	1		
	5	VKZ4777-003	MINI SCREW	1		
	6	LV42209-001A	BELT	1		
	7	LV42084-002A	PULLEYGEAR	1		
	8	LV42085-002A	MIDDLE GEAR	1		
	9	LV42086-001A	IDLE GEAR	1		
	10	LV32514-002A	SLIDE CAM	1		
	11	LV42348-001A	GEAR BRACKET	1		
	12	QYSBSF2006Z	SCREW	1		
	13	LV20912-002A	ELEVATOR	1		
	14	QUQ110-0610AJ	FFC WIRE	1		

■ Electrical parts list (Loading motor board)

Block No. 03

△	Item	Parts number	Parts name	Remarks	Area
	CN 1	QGF1016F3-06	CONNECTOR		
	S 1	QSW0910-002	SWITCH		
	S 2	QSW0910-002	SWITCH		



Electrical parts list (Main board)

Block No. 01

Item	Parts number	Parts name	Remarks	Area
BK801	LE20539-001A	FL HOLDER		
C 11	QCBB1HK-104Y	C CAPACITOR	.10MF 10% 50V	
C 12	QCBB1HK-104Y	C CAPACITOR	.10MF 10% 50V	
C 13	QETN0JM-107Z	E CAPACITOR	100MF 20% 6.3V	
C 14	QETN0JM-107Z	E CAPACITOR	100MF 20% 6.3V	
C 15	QETN0JM-107Z	E CAPACITOR	100MF 20% 6.3V	
C 16	QETN0JM-107Z	E CAPACITOR	100MF 20% 6.3V	
C 17	QETN0JM-107Z	E CAPACITOR	100MF 20% 6.3V	
C 21	NCS31HJ-101X	C.CAPA. C.M		
C 421	QCBB1HK-104Y	C CAPACITOR	.10MF 10% 50V	
C 422	QCBB1HK-104Y	C CAPACITOR	.10MF 10% 50V	
C 601	NCS31HJ-471X	C CAPACITOR		
C 603	NCS31HJ-221X	C.CAPA. C.M		
C 604	NCS31HJ-470X	C.CAPA. C.M		
C 609	QETN0JM-477Z	E CAPACITOR	470MF 20% 6.3V	
C 611	NCS31HJ-471X	C CAPACITOR		
C 613	NCS31HJ-221X	C.CAPA. C.M		
C 614	NCS31HJ-470X	C.CAPA. C.M		
C 619	QETN0JM-477Z	E CAPACITOR	470MF 20% 6.3V	
C 621	NCS31HJ-471X	C CAPACITOR		
C 623	NCS31HJ-221X	C.CAPA. C.M		
C 624	NCS31HJ-470X	C.CAPA. C.M		
C 629	QETN0JM-477Z	E CAPACITOR	470MF 20% 6.3V	
C 631	NCS31HJ-471X	C CAPACITOR		
C 633	NCS31HJ-221X	C.CAPA. C.M		
C 634	NCS31HJ-470X	C.CAPA. C.M		
C 639	NCB31CK-104X	C CAPACITOR		
C 649	QETN0JM-477Z	E CAPACITOR	470MF 20% 6.3V	
C 659	QETN0JM-477Z	E CAPACITOR	470MF 20% 6.3V	
C 691	NCS31HJ-101X	C.CAPA. C.M		5,7-10,14-16
C 701	QETN1HM-105Z	E CAPACITOR	1.0MF 20% 50V	
C 702	NCB31CK-104X	C CAPACITOR		
C 704	NCS31HJ-101X	C.CAPA. C.M		
C 705	NCB31CK-104X	C CAPACITOR		
C 706	NCB31CK-104X	C CAPACITOR		
C 707	QETN0JM-107Z	E CAPACITOR	100MF 20% 6.3V	
C 709	NCS31HJ-331X	C.CAPA. C.M		
C 711	QCZ0202-155Z	ML C CAPA I/M	1.5MF	
C 714	QETN0JM-108Z	E CAPACITOR	1000MF 20% 6.3V	
C 716	QETN0JM-108Z	E CAPACITOR	1000MF 20% 6.3V	
C 717	QCZ0202-155Z	ML C CAPA I/M	1.5MF	
C 718	QETN0JM-227Z	E CAPACITOR	220MF 20% 6.3V	
C 728	QETN1AM-107Z	E CAPACITOR	100MF 20% 10V	
C 730	QFV21HJ-224Z	MF CAPACITOR	.22MF 5% 50V	
C 731	QFN31HJ-103Z	M CAPACITOR	.010MF 5% 50V	
C 736	NCB31CK-104X	C CAPACITOR		
C 739	QFN31HJ-681Z	M CAPACITOR	680PF 5% 50V	
C 740	QFN31HJ-102Z	M CAPACITOR	1000PF 5% 50V	
C 741	QFN31HJ-221Z	M CAPACITOR	220PF 5% 50V	
C 742	QFN31HJ-332Z	M CAPACITOR	3300PF 5% 50V	
C 744	QFN31HJ-681Z	M CAPACITOR	680PF 5% 50V	
C 745	QFN31HJ-103Z	M CAPACITOR	.010MF 5% 50V	
C 746	QETN1EM-226Z	E CAPACITOR	22MF 20% 25V	
C 747	QFN31HJ-222Z	M CAPACITOR	2200PF 5% 50V	
C 750	QFN31HJ-102Z	M CAPACITOR	1000PF 5% 50V	
C 751	QFN31HJ-221Z	M CAPACITOR	220PF 5% 50V	
C 752	QFN31HJ-332Z	M CAPACITOR	3300PF 5% 50V	
C 754	QFN31HJ-681Z	M CAPACITOR	680PF 5% 50V	
C 755	QFN31HJ-103Z	M CAPACITOR	.010MF 5% 50V	
C 756	QETN1EM-226Z	E CAPACITOR	22MF 20% 25V	
C 757	QFN31HJ-222Z	M CAPACITOR	2200PF 5% 50V	
C 761	QETN1CM-107Z	E CAPACITOR	100MF 20% 16V	

Item	Parts number	Parts name	Remarks	Area
C 762	QETN1CM-107Z	E CAPACITOR	100MF 20% 16V	
C 771	QETN1CM-107Z	E CAPACITOR	100MF 20% 16V	
C 772	QETN1CM-107Z	E CAPACITOR	100MF 20% 16V	
C 797	NCB31HK-152X	C CAPACITOR		
C 801	NCB31CK-104X	C CAPACITOR		
C 802	QEKC1AM-476Z	E CAPACITOR	47MF 20% 10V	
C 821	QEKC1HM-475Z	E CAPACITOR	4.7MF 20% 50V	
△ C 902	QFZ9075-683	M CAPACITOR	.068MF	
△ C 906	QCZ9079-102	C CAPACITOR	1000PF	
△ C 907	QETM2DM-157	E CAPACITOR	150MF 20%	1-4,6,11-13
△ C 907	QEZ0522-127	E CAPACITOR	120MF	7-10,14-16
△ C 907	QEZ0452-826	E CAPACITOR	82MF	5
C 908	NZZ000000000500	C CAPACITOR		
C 909	NZZ000000000499	C CAPACITOR		
C 910	NCS31HJ-221X	C.CAPA. C.M		
C 913	NZZ000000000499	C CAPACITOR		
C 914	QEMX1EM-396Z	E CAPACITOR	OR USE PARTS	1-4,6,11
C 914	QEZ0532-396Z	E CAPACITOR	39MF	5,7-10,12-16
C 915	NCB31HK-471X	C CAPACITOR		
△ C 916	QCZ9079-332	C CAPACITOR	3300PF	
C 917	NCB31CK-104X	C CAPACITOR		
C 918	QCFB1HZ-104Y	C CAPACITOR	.10MF +80:-20%	
C 951	NCS31HJ-101X	C.CAPA. C.M		
C 952	NCS31HJ-101X	C.CAPA. C.M		
C 953	NCS31HJ-101X	C.CAPA. C.M		
C 954	NCS31HJ-101X	C.CAPA. C.M		
C 956	NCS31HJ-101X	C.CAPA. C.M		
C 957	NCS31HJ-101X	C.CAPA. C.M		
C 960	QEMX1AM-826Z	E CAPACITOR	OR USE PARTS	1-4,6,11
C 960	QEZ0529-826Z	E CAPACITOR	82MF	5,7-10,12-16
C 961	NCB31CK-104X	C CAPACITOR		
C 962	QETN1HM-226Z	E CAPACITOR	22MF 20% 50V	
C 963	QEMX1HM-396Z	E CAPACITOR	OR USE PARTS	1-4,6,11
C 963	QEZ0533-396Z	E CAPACITOR	39MF	5,7-10,12-16
C 964	QETN1HM-226Z	E CAPACITOR	22MF 20% 50V	
C 965	QEMW1AM-108	E CAPACITOR	OR USE PARTS	1-4,6,11
C 965	QEZ0528-108	E CAPACITOR	1000MF	5,7-10,12-16
C 966	QETN1AM-477Z	E CAPACITOR	470MF 20% 10V	
C 967	NCB31CK-104X	C CAPACITOR		
C 968	NCB31CK-104X	C CAPACITOR		
C 969	QETN1AM-227Z	E CAPACITOR	220MF 20% 10V	
C 970	NCB31CK-104X	C CAPACITOR		
C 973	QETN1AM-107Z	E CAPACITOR	100MF 20% 10V	
C 976	NCB31CK-104X	C CAPACITOR		
C 977	NCB31CK-104X	C CAPACITOR		
C 978	QETN1AM-107Z	E CAPACITOR	100MF 20% 10V	
C 979	QEMW1CM-827	E CAPACITOR	OR USE PARTS	1-4,6,11
C 979	QEZ0530-827	E CAPACITOR	820MF	5,7-10,12-16
C 981	NCB31CK-104X	C CAPACITOR		
C 982	QEMW1EM-567	E CAPACITOR	OR USE PARTS	1-4,6,11
C 982	QEZ0531-567	E CAPACITOR	560MF	5,7-10,12-16
C 984	QETN1EM-227Z	E CAPACITOR	220MF 20% 25V	
C 985	QETN1CM-227Z	E CAPACITOR	220MF 20% 16V	
C 987	QEMX1EM-187Z	E CAPACITOR	OR USE PARTS	1-4,6,11
C 987	QEZ0532-187Z	E CAPACITOR	180MF	5,7-10,12-16
C 989	QETN1EM-107Z	E CAPACITOR	100MF 20% 25V	
C 992	QETN1HM-474Z	E CAPACITOR	.47MF 20% 50V	
C 993	NCS31HJ-101X	C.CAPA. C.M		
C 994	NCB31EK-223X	C CAPACITOR		
C 995	QETN1CM-227Z	E CAPACITOR	220MF 20% 16V	
C 996	QETN1CM-226Z	E CAPACITOR	22MF 20% 16V	
C 997	QETN1CM-227Z	E CAPACITOR	220MF 20% 16V	

Explanation of area column

1 =XV-S30BK	ver. C	5 =XV-S42SL	ver. A	9 =XV-S42SL	ver. US	13 =XV-E100SL	ver. C
2 =XV-S30BK	ver. J	6 =XV-S42SL	ver. C	10 =XV-S42SL	ver. UW	14 =XV-E100SL	ver. UB
3 =XV-S40BK	ver. C	7 =XV-S42SL	ver. UG	11 =XV-S45GD	ver. J	15 =XV-E100SL	ver. UP
4 =XV-S40BK	ver. J	8 =XV-S42SL	ver. UP	12 =XV-E100SL	ver. J	16 =XV-E100SL	ver. US

■ Electrical parts list (Main board)

Block No. 01

Item	Parts number	Parts name	Remarks	Area
C1701	QETN1EM-476Z	E CAPACITOR	47MF 20% 25V	
C1702	QETN1EM-476Z	E CAPACITOR	47MF 20% 25V	
C1703	NCS31HJ-151X	C CAPACITOR		
C1704	NCS31HJ-221X	C.CAPA. C.M		
CN701	QGB2027M8-26	CONNECTOR		
CN702	QGD2501C1-05Z	SOCKET I.M		
CN703	QGD2501C1-03Z	SOCKET		
CN961	QGB2027M8-10	CONNECTOR		
△ CP951	ICP-N10-T	ICP		
△ CP952	ICP-N5-T	ICP		
D 1	HZU2.4B-X	MG.RES C.M		
D 609	1SS133-T2	SI DIODE IM		
D 619	1SS133-T2	SI DIODE IM		
D 629	1SS133-T2	SI DIODE IM		
D 639	1SS133-T2	SI DIODE IM		
D 701	1SS133-T2	SI DIODE IM		
D 702	MTZJ3.3B-T2	ZENER DIODE IM		
D 709	1SS133-T2	SI DIODE IM		
D 791	1SS133-T2	SI DIODE IM		
D 792	1SS133-T2	SI DIODE IM		
D 801	SLR-342VC-T	LED	STANDBY	
△ D 901	S1WB/A/60-4101	BRIDGE DIODE		
△ D 902	F1T4-T2	FR DIODE		
△ D 903	F1T4-T2	FR DIODE		
△ D 904	F1T4-T2	FR DIODE		
△ D 908	F1T4-T2	FR DIODE		
△ D 910	F1T4-T2	FR DIODE		
D 911	1SS133-T2	SI DIODE IM		
D 950	MTZJ36C-T2	Z.DIODE I.M		
△ D 951	F1T4-T2	FR DIODE		
△ D 952	F1T4-T2	FR DIODE		
△ D 953	FMB-24	FUSEIODE		
△ D 954	F1T4-T2	FR DIODE		
△ D 956	F1T4-T2	FR DIODE		
△ D 957	F1T4-T2	FR DIODE		
D 960	MTZJ4.7B-T2	Z DIODE I M		
D 970	1SS133-T2	SI DIODE IM		
D 972	1SS133-T2	SI DIODE IM		
D 973	1SS133-T2	SI DIODE IM		
D 974	1SS133-T2	SI DIODE IM		
D 991	MTZJ5.1C-T2	ZENER DIODE		
DI801	QLF0085-001	FL TUBE		
EP711	QNZ0136-001Z	EARTH PLATE		
EP951	QNZ0136-001Z	EARTH PLATE		
FC901	QNG0003-001Z	FUSE CLIP		
FC902	QNG0003-001Z	FUSE CLIP		
FL901	LV41385-010A	FUSE LABEL		5,7-10,14-16
HS901	E70306-002	HEAT SINK		5,7-10,14-16
IC411	74VHC08SJ-X	IC		
IC412	74VHCT08ASJ-X	IC		
IC701	MN101C35DGN	IC	SYSTEM MICOM	
IC702	IC-PST9140-T	IC		
IC703	MN35505-X	IC C M		
IC704	TC7SH08F-X	IC C.M		
IC741	NJM4580M-X	IC		
IC751	NJM4580M-X	IC		
IC801	GP1U271X	RM RECIVER		
△ IC901	STR-G6651	IC		
IC951	PQ05RD21	IC		
△ IC953	NJM78M05FA	IC		
J 601	QNN0387-001	PIN JACK	COMPONENT	
J 702	QNS0089-001	3.5 JACK	AV COMPULINK	

Item	Parts number	Parts name	Remarks	Area
J 703	QNZ0487-001	OPT TRANSMITTER	OPT DIGITAL OUT	
K 701	NQR0227-004X	FERRITE BEADS		
K 703	NQR0201-018X	INDUCTOR		
K 704	NQR0201-018X	INDUCTOR		
K 705	NQR0201-018X	INDUCTOR		
K 706	NQR0201-018X	INDUCTOR		
K 708	NQR0201-018X	INDUCTOR		
K 902	QQR1183-001Z	FERRITE BEADS		1-4,6,11-13
L 1	QQL231K-100Y	INDUCTOR		
L 2	QQL231K-100Y	INDUCTOR		
L 601	QQL231K-5R6Y	INDUCTOR		
L 602	QQL231K-2R2Y	INDUCTOR		
L 611	QQL231K-5R6Y	INDUCTOR		
L 612	QQL231K-2R2Y	INDUCTOR		
L 621	QQL231K-5R6Y	INDUCTOR		
L 622	QQL231K-2R2Y	INDUCTOR		
L 631	QQL231K-5R6Y	INDUCTOR		
L 632	QQL231K-2R2Y	INDUCTOR		
L 709	QQL231K-2R2Y	INDUCTOR		
△ L 901	QQR1105-001	LINE FILTER		
L 951	QQL244K-R22Z	INDUCTOR		
L 952	QQL26AK-220Z	INDUCTOR		
L 955	QQL26AK-220Z	INDUCTOR		
L 957	QQL244K-100Z	INDUCTOR		
L 959	QQL244K-100Z	INDUCTOR		
P 901	QNC0082-001	AC INLET		1-4,6,11-13
P 901	QNC0081-001	AC INLET		5,7-10,14-16
△ PC901	PC123Y02	IC(PHOTO COUPLE		
△ PC902	PC123Y02	IC(PHOTO COUPLE		
Q 1	2SC2060/QR/-T	TRANSISTOR		
Q 601	KTA1267/G/-T	TR I/M		
Q 611	KTA1267/G/-T	TR I/M		
Q 621	KTA1267/G/-T	TR I/M		
Q 631	KTA1267/G/-T	TR I/M		
Q 709	KRC107S-X	DIGITAL.TR		
Q 743	2SD2144S/VW/-T	TRANSISTOR	AMUTE1	
Q 753	2SD2144S/VW/-T	TRANSISTOR	AMUTE1	
Q 791	KRA102S-X	DIGITAL.TR		
Q 951	KTD863/Y/-T	TRANSISTOR		
Q 952	KRA104S-X	DIGITAL.TR		
Q 953	KTA1267/G/-T	TR I/M		
△ Q 964	2SB1184/QR/-X	TRANSISTOR		
Q 965	KTC3199/Y/-T	TR I/M		
Q 966	KTA1267/G/-T	TR I/M		
Q 991	KTC3199/Y/-T	TR I/M		
R 1	NRSA63J-910X	MG RESISTOR		
R 20	NRSA63J-271X	MG RESISTOR		
R 25	NRSA63J-100X	MG RESISTOR		
R 601	NRSA63J-151X	MG RESISTOR		
R 602	NRSA63J-0R0X	MG RESISTOR		
R 603	NRSA63J-151X	MG RESISTOR		
R 604	NRSA63J-0R0X	MG RESISTOR		
R 605	NRSA63J-221X	MG RESISTOR		
R 606	QRE141J-561Y	C RESISTOR	560 5% 1/4W	
R 609	NRSA63J-820X	MG RESISTOR		
R 611	NRSA63J-151X	MG RESISTOR		
R 612	NRSA63J-0R0X	MG RESISTOR		
R 613	NRSA63J-151X	MG RESISTOR		
R 614	NRSA63J-0R0X	MG RESISTOR		
R 615	NRSA63J-221X	MG RESISTOR		
R 616	QRE141J-561Y	C RESISTOR	560 5% 1/4W	
R 619	NRSA63J-820X	MG RESISTOR		

Explanation of area column

1 =XV-S30BK ver. C  
 2 =XV-S30BK ver. J  
 3 =XV-S40BK ver. C  
 4 =XV-S40BK ver. J

5 =XV-S42SL ver. A  
 6 =XV-S42SL ver. C  
 7 =XV-S42SL ver. UG  
 8 =XV-S42SL ver. UP

9 =XV-S42SL ver. US  
 10 =XV-S42SL ver. UW  
 11 =XV-S45GD ver. J  
 12 =XV-E100SL ver. J

13 =XV-E100SL ver. C  
 14 =XV-E100SL ver. UB  
 15 =XV-E100SL ver. UP  
 16 =XV-E100SL ver. US

■ Electrical parts list (Main board)

Block No. 01

△	Item	Parts number	Parts name	Remarks	Area
	R 621	NRSA63J-151X	MG RESISTOR		
	R 622	NRSA63J-0R0X	MG RESISTOR		
	R 623	NRSA63J-151X	MG RESISTOR		
	R 624	NRSA63J-0R0X	MG RESISTOR		
	R 625	NRSA63J-221X	MG RESISTOR		
	R 629	NRSA63J-680X	MG RESISTOR		
	R 631	NRSA63J-151X	MG RESISTOR		
	R 632	NRSA63J-0R0X	MG RESISTOR		
	R 633	NRSA63J-151X	MG RESISTOR		
	R 634	NRSA63J-0R0X	MG RESISTOR		
	R 635	NRSA63J-221X	MG RESISTOR		
	R 636	QRE141J-561Y	C RESISTOR	560 5% 1/4W	
	R 639	NRSA63J-680X	MG RESISTOR		
	R 649	NRSA63J-680X	MG RESISTOR		
	R 650	QRE141J-561Y	C RESISTOR	560 5% 1/4W	
	R 659	NRSA63J-680X	MG RESISTOR		
	R 701	NRSA63J-102X	MG RESISTOR		
	R 702	NRSA63J-472X	MG RESISTOR		
	R 703	NRSA63J-105X	MG RESISTOR		
	R 704	NRSA63J-102X	MG RESISTOR		
	R 705	NRSA63J-2R2X	MG RESISTOR		
	R 706	NRSA63J-104X	MG RESISTOR		
	R 708	NRSA63J-101X	MG RESISTOR		
	R 709	NRSA63J-103X	MG RESISTOR		
	R 711	NRSA63J-100X	MG RESISTOR		
	R 713	NRSA63J-470X	MG RESISTOR		
	R 715	NRSA63J-470X	MG RESISTOR		
	R 717	NRSA63J-220X	MG RESISTOR		
	R 721	NRSA63J-471X	MG RESISTOR		
	R 723	NRSA63J-471X	MG RESISTOR		
	R 724	NRSA63J-471X	MG RESISTOR		
	R 725	NRSA63J-471X	MG RESISTOR		
	R 728	NRSA63J-471X	MG RESISTOR		
	R 729	NRSA63J-471X	MG RESISTOR		
	R 731	NRSA63J-332X	MG RESISTOR		
	R 740	QRE141J-273Y	C RESISTOR	27K 5% 1/4W	
	R 741	QRE141J-273Y	C RESISTOR	27K 5% 1/4W	
	R 742	QRE141J-183Y	C RESISTOR	18K 5% 1/4W	
	R 743	QRE141J-183Y	C RESISTOR	18K 5% 1/4W	
	R 744	NRSA63J-362X	MG RESISTOR		
	R 745	QRE141J-183Y	C RESISTOR	18K 5% 1/4W	
	R 746	NRSA63J-332X	MG RESISTOR		
	R 747	NRSA63J-362X	MG RESISTOR		
	R 748	NRSA63J-112X	MG RESISTOR		
	R 750	QRE141J-273Y	C RESISTOR	27K 5% 1/4W	
	R 751	QRE141J-273Y	C RESISTOR	27K 5% 1/4W	
	R 752	QRE141J-183Y	C RESISTOR	18K 5% 1/4W	
	R 753	QRE141J-183Y	C RESISTOR	18K 5% 1/4W	
	R 754	NRSA63J-362X	MG RESISTOR		
	R 755	QRE141J-183Y	C RESISTOR	18K 5% 1/4W	
	R 756	NRSA63J-332X	MG RESISTOR		
	R 757	NRSA63J-362X	MG RESISTOR		
	R 758	NRSA63J-112X	MG RESISTOR		
	R 761	NRSA63J-112X	MG RESISTOR		
	R 762	NRSA63J-681X	MG RESISTOR		
	R 763	NRSA63J-362X	MG RESISTOR		
	R 764	NRSA63J-183X	MG RESISTOR		
	R 765	NRSA63J-561X	MG RESISTOR		
	R 766	NRSA63J-273X	MG RESISTOR		
	R 767	NRSA63J-101X	MG RESISTOR		
	R 768	NRSA63J-103X	MG RESISTOR		
	R 771	NRSA63J-112X	MG RESISTOR		

△	Item	Parts number	Parts name	Remarks	Area
	R 772	NRSA63J-152X	MG RESISTOR		
	R 773	NRSA63J-362X	MG RESISTOR		
	R 774	NRSA63J-183X	MG RESISTOR		
	R 775	NRSA63J-561X	MG RESISTOR		
	R 776	NRSA63J-273X	MG RESISTOR		
	R 777	NRSA63J-101X	MG RESISTOR		
	R 778	NRSA63J-103X	MG RESISTOR		
	R 782	NRSA63J-221X	MG RESISTOR		
	R 783	NRSA63J-221X	MG RESISTOR		
	R 786	NRSA63J-333X	MG RESISTOR		
	R 789	NRSA63J-0R0X	MG RESISTOR		
	R 792	NRSA63J-221X	MG RESISTOR		
	R 793	NRSA63J-221X	MG RESISTOR		
	R 795	NRSA63J-472X	MG RESISTOR		
	R 797	NRSA63J-473X	MG RESISTOR		
	R 801	NRSA63J-331X	MG RESISTOR		
	R 845	NRSA63J-431X	MG RESISTOR		
	R 846	NRSA63J-681X	MG RESISTOR		
	R 847	NRSA63J-112X	MG RESISTOR		
	R 848	NRSA63J-222X	MG RESISTOR		
	R 900	NRSA63J-221X	MG RESISTOR		
	R 901	QRL01DJ-683X	OMF RESISTOR	68K 5% 1/1W	
	R 903	QRE141J-330Y	C RESISTOR	33 5% 1/4W	
	R 904	QRE141J-222Y	C RESISTOR	2.2K 5% 1/4W	
	R 905	QRL027J-683	UNF OMF RESISTOR	68K 5% 1/2W	
	R 906	QRE141J-681Y	C RESISTOR	680 5% 1/4W	
	R 907	QRT022J-R47	MF RESISTOR	5% 1/2W	
	R 908	QRE141J-332Y	C RESISTOR	3.3K 5% 1/4W	
	R 910	QRE141J-754Y	C RESISTOR	750K 5% 1/4W	
	R 911	QRE141J-754Y	C RESISTOR	750K 5% 1/4W	
	R 952	NRSA63J-103X	MG RESISTOR		
	R 953	QRE141J-103Y	C RESISTOR	10K 5% 1/4W	
△	R 954	QRZ9005-100X	F RESISTOR	10 1/0W	
	R 955	NRSA63J-223X	MG RESISTOR		
	R 956	QRE141J-120Y	C RESISTOR	12 5% 1/4W	
	R 960	QRE141J-101Y	C RESISTOR	100 5% 1/4W	
	R 961	NRSA63J-681X	MG RESISTOR		
	R 962	NRSA63J-105X	MG RESISTOR		
	R 963	NRSA63J-101X	MG RESISTOR		
	R 964	NRSA63J-105X	MG RESISTOR		
	R 965	NRSA63J-103X	MG RESISTOR		
	R 969	NRSA63J-221X	MG RESISTOR		
	R 971	NRSA63J-392X	MG RESISTOR		
	R 972	NRSA63J-122X	MG RESISTOR		
	R 973	NRSA63J-102X	MG RESISTOR		
	R 974	NRSA63J-562X	MG RESISTOR		
	R 975	NRSA63J-562X	MG RESISTOR		
	R 976	QRE141J-221Y	C RESISTOR	220 5% 1/4W	
	R 980	QRE141J-152Y	C RESISTOR	1.5K 5% 1/4W	
	R1704	NRSA63J-102X	MG RESISTOR		
	R1707	NRSA63J-222X	MG RESISTOR		
	R1708	NRSA63J-222X	MG RESISTOR		
	R1709	NRSA63J-102X	MG RESISTOR		
	R1710	NRSA63J-102X	MG RESISTOR		
	R1713	NRSA63J-101X	MG RESISTOR		
	R1714	NRSA63J-472X	MG RESISTOR		
	R1715	NRSA63J-103X	MG RESISTOR		
	R1716	NRSA63J-102X	MG RESISTOR		
	R1721	NRSA63J-331X	MG RESISTOR		
	R1722	NRSA63J-750X	MG RESISTOR		
	R1723	NRSA63J-270X	MG RESISTOR		
	R1724	NRSA63J-101X	MG RESISTOR	TO C708	

Explanation of area column		1 =XV-S30BK	ver. C	5 =XV-S42SL	ver. A	9 =XV-S42SL	ver. US	13 =XV-E100SL	ver. C
		2 =XV-S30BK	ver. J	6 =XV-S42SL	ver. C	10 =XV-S42SL	ver. UW	14 =XV-E100SL	ver. UB
		3 =XV-S40BK	ver. C	7 =XV-S42SL	ver. UG	11 =XV-S45GD	ver. J	15 =XV-E100SL	ver. UP
		4 =XV-S40BK	ver. J	8 =XV-S42SL	ver. UP	12 =XV-E100SL	ver. J	16 =XV-E100SL	ver. US

XV-S40BK/XV-S42SL/XV-S45GD  
XV-S30BK/XV-E100SL

■ Electrical parts list (Main board)

Block No. 01

△	Item	Parts number	Parts name	Remarks	Area
	R1725	NRSA63J-102X	MG RESISTOR		
	R1727	NRSA63J-0R0X	MG RESISTOR		
	R1728	NRSA63J-222X	MG RESISTOR		
	R1729	NRSA63J-222X	MG RESISTOR		
	R1730	QRE141J-103Y	C RESISTOR	10K 5% 1/4W	
	R1732	QRE141J-100Y	C RESISTOR	10 5% 1/4W	
	S 691	QSW0454-001	SWITCH		5,7-10,14-16
	S 801	QSW0651-001Z	TACT SWITCH		
	S 821	QSW0651-001Z	TACT SWITCH		
	S 831	QSW0651-001Z	TACT SWITCH		
	S 832	QSW0651-001Z	TACT SWITCH		
	S 833	QSW0651-001Z	TACT SWITCH		
	S 834	QSW0651-001Z	TACT SWITCH		
	S 835	QSW0651-001Z	TACT SWITCH		
	T 701	QQR1185-001	PULSE TRANS		
△	T 901	QQS0100-001	SW TRANSF		
	X 701	QAX0667-001Z	RESONATOR I.M		

Explanation of area column

5 =XV-S42SL ver. A  
7 =XV-S42SL ver. UG  
8 =XV-S42SL ver. UP  
9 =XV-S42SL ver. US  
10 =XV-S42SL ver. UJW  
14 =XV-E100SL ver. UB  
15 =XV-E100SL ver. UP  
16 =XV-E100SL ver. US

■ Electrical parts list (Servo control board)

Block No. 02

△	Item	Parts number	Parts name	Remarks	Area
	C 1	NCB31CK-104X	C CAPACITOR		
	C 2	NCB31CK-104X	C CAPACITOR		
	C 3	NCB31CK-104X	C CAPACITOR		
	C 4	NCB31CK-104X	C CAPACITOR		
	C 5	NCB31CK-104X	C CAPACITOR		
	C 6	NCB31CK-104X	C CAPACITOR		
	C 10	NCS31HJ-470X	C.CAPA. C.M		1-4,6,11-13
	C 105	NEA70JM-476X	E.CAPACITOR		
	C 106	NEA70JM-476X	E.CAPACITOR		
	C 109	NCB21CK-154X	C.CAPA. C.M		
	C 110	NCS31HJ-221X	C.CAPA. C.M		
	C 111	NCB31CK-104X	C CAPACITOR		
	C 112	NCB31CK-104X	C CAPACITOR		
	C 113	NEA70JM-226X	E CAPACITOR		
	C 115	NCB31CK-104X	C CAPACITOR		
	C 116	NCB31CK-104X	C CAPACITOR		
	C 117	NCB31CK-473X	C CAPACITOR		
	C 118	NCB31CK-273X	C CAPACITOR		
	C 119	NCB31HK-561X	C CAPACITOR		
	C 120	NCB31HK-561X	C CAPACITOR		
	C 121	NCB31CK-104X	C CAPACITOR		
	C 122	NCS31HJ-120X	C.CAPA. C.M		
	C 123	NCB31CK-104X	C CAPACITOR		
	C 124	NCS31HJ-470X	C.CAPA. C.M		
	C 125	NCB31HK-271X	C CAPACITOR		
	C 126	NCB31CK-104X	C CAPACITOR		
	C 127	NCB31CK-104X	C CAPACITOR		
	C 128	NCB31CK-104X	C CAPACITOR		
	C 129	NCB31HK-472X	C CAPACITOR		
	C 135	NEA70JM-476X	E.CAPACITOR		
	C 137	NEA70GM-476X	E.CAPA. C.M.		
	C 138	NCB21CK-105X	C CAPACITOR		
	C 139	NCB21CK-105X	C CAPACITOR		
	C 141	NCB31CK-104X	C CAPACITOR		
	C 142	NCB31CK-104X	C CAPACITOR		
	C 143	NCB31CK-104X	C CAPACITOR		
	C 144	NCB31CK-103X	C CAPACITOR		
	C 146	NCB31CK-104X	C CAPACITOR		
	C 201	NEA70JM-226X	E CAPACITOR		
	C 203	NCB31CK-104X	C CAPACITOR		
	C 204	NCB31CK-104X	C CAPACITOR		
	C 205	NCB31HK-121X	C CAPACITOR		
	C 207	NCB31HK-391X	C CAPACITOR		
	C 208	NCB31HK-391X	C CAPACITOR		
	C 211	NCB31HK-223X	C CAPACITOR		
	C 212	NCB31CK-103X	C CAPACITOR		
	C 216	NCB30JK-105X	C CAPACITOR		
	C 217	NCB31CK-104X	C CAPACITOR		
	C 218	NCB30JK-105X	C CAPACITOR		
	C 251	NCB31CK-104X	C CAPACITOR		
	C 252	NEA71AM-336X	E CAPACITOR		
	C 253	NCB31CK-104X	C CAPACITOR		
	C 255	NCB31CK-223X	C CAPACITOR		
	C 256	NCB31CK-104X	C CAPACITOR		
	C 257	NCB31CK-104X	C CAPACITOR		
	C 258	NCB31CK-104X	C CAPACITOR		
	C 259	NCB31CK-104X	C CAPACITOR		
	C 260	NCB31CK-104X	C CAPACITOR		
	C 261	NCB31CK-104X	C CAPACITOR		
	C 262	NCB31CK-104X	C CAPACITOR		
	C 263	NCB31CK-104X	C CAPACITOR		
	C 264	NCB31CK-103X	C CAPACITOR		

△	Item	Parts number	Parts name	Remarks	Area
	C 301	NCB31CK-104X	C CAPACITOR		
	C 302	NCB31CK-104X	C CAPACITOR		
	C 303	NCB31CK-104X	C CAPACITOR		
	C 304	NEA70GM-107X	E CAPACITOR		
	C 306	NEA70GM-107X	E CAPACITOR		
	C 308	NEA70GM-107X	E CAPACITOR		
	C 310	NCB31CK-104X	C CAPACITOR		
	C 311	NCB31HK-561X	C CAPACITOR		
	C 312	NCB31HK-561X	C CAPACITOR		
	C 313	NCB31HK-561X	C CAPACITOR		
	C 314	NCB31HK-331X	C CAPACITOR		
	C 315	NCB31HK-471X	C CAPACITOR		
	C 316	NCB31HK-271X	C CAPACITOR		
	C 317	NCS31HJ-121X	C CAPACITOR		
	C 318	NCB31CK-104X	C CAPACITOR		
	C 319	NCB31HK-102X	C CAPACITOR		
	C 320	NCB31HK-102X	C CAPACITOR		
	C 321	NCB31HK-102X	C CAPACITOR		
	C 322	NCB31HK-562X	C CAPACITOR		
	C 323	NCB31HK-102X	C CAPACITOR		
	C 324	NCB31CK-104X	C CAPACITOR		
	C 325	NCS31HJ-470X	C.CAPA. C.M		
	C 326	NCB31CK-183X	C CAPACITOR		
	C 327	NCB31HK-102X	C CAPACITOR		
	C 328	NCB31CK-104X	C CAPACITOR		
	C 329	NCB31CK-103X	C CAPACITOR		
	C 330	NCB31CK-104X	C CAPACITOR		
	C 331	NCB31CK-103X	C CAPACITOR		
	C 332	NCB21CK-105X	C CAPACITOR		
	C 333	NCB31AK-154X	C CAPACITOR		
	C 334	NCB31CK-104X	C CAPACITOR		
	C 337	NCB31CK-104X	C CAPACITOR		
	C 338	NCB31CK-104X	C CAPACITOR		
	C 339	NCB31CK-104X	C CAPACITOR		
	C 340	NCB31CK-104X	C CAPACITOR		
	C 341	NCB31CK-104X	C CAPACITOR		
	C 342	NCB31CK-104X	C CAPACITOR		
	C 343	NCB31CK-104X	C CAPACITOR		
	C 344	NCB31CK-104X	C CAPACITOR		
	C 345	NCB31CK-104X	C CAPACITOR		
	C 346	NCB31CK-104X	C CAPACITOR		
	C 347	NCB31CK-104X	C CAPACITOR		
	C 348	NCB31CK-104X	C CAPACITOR		
	C 349	NCB31CK-104X	C CAPACITOR		
	C 350	NCB31CK-104X	C CAPACITOR		
	C 401	NEA70GM-476X	E.CAPA. C.M.		
	C 402	NCB31CK-104X	C CAPACITOR		
	C 403	NCB31CK-104X	C CAPACITOR		
	C 404	NCB31CK-104X	C CAPACITOR		
	C 405	NCB31CK-104X	C CAPACITOR		
	C 406	NCB31CK-104X	C CAPACITOR		
	C 407	NCB31CK-104X	C CAPACITOR		
	C 411	NCB31CK-104X	C CAPACITOR		
	C 450	NCB31CK-104X	C CAPACITOR		
	C 453	NCB31CK-104X	C CAPACITOR		
	C 454	NCB31CK-104X	C CAPACITOR		
	C 501	NCB31CK-104X	C CAPACITOR		
	C 502	NCB31CK-104X	C CAPACITOR		
	C 503	NCB31CK-104X	C CAPACITOR		
	C 504	NCB31CK-104X	C CAPACITOR		
	C 505	NCB31CK-104X	C CAPACITOR		
	C 506	NCB31CK-104X	C CAPACITOR		

Explanation of area column

1 =XV-S30BK	ver. C	6 =XV-S42SL	ver. C
2 =XV-S30BK	ver. J	11 =XV-S45GD	ver. J
3 =XV-S40BK	ver. C	12 =XV-E100SL	ver. J
4 =XV-S40BK	ver. J	13 =XV-E100SL	ver. C

XV-S40BK/XV-S42SL/XV-S45GD  
XV-S30BK/XV-E100SL

■ Electrical parts list (Servo control board)

Block No. 02

△	Item	Parts number	Parts name	Remarks	Area
	C 507	NCB31CK-104X	C CAPACITOR		
	C 508	NCB31CK-104X	C CAPACITOR		
	C 509	NCB31CK-104X	C CAPACITOR		
	C 510	NCB31CK-104X	C CAPACITOR		
	C 511	NCB31CK-104X	C CAPACITOR		
	C 512	NCB31CK-104X	C CAPACITOR		
	C 513	NCB31CK-104X	C CAPACITOR		
	C 514	NCB31CK-104X	C CAPACITOR		
	C 515	NCB31CK-104X	C CAPACITOR		
	C 516	NCB31CK-104X	C CAPACITOR		
	C 517	NCB31CK-104X	C CAPACITOR		
	C 518	NCB31CK-104X	C CAPACITOR		
	C 520	NCB31CK-104X	C CAPACITOR		
	C 522	NCB31CK-104X	C CAPACITOR		
	C 524	NCB31CK-104X	C CAPACITOR		
	C 525	NCB31CK-104X	C CAPACITOR		
	C 526	NCB31CK-104X	C CAPACITOR		
	C 527	NCB31CK-104X	C CAPACITOR		
	C 528	NCB31CK-104X	C CAPACITOR		
	C 529	NCB31CK-104X	C CAPACITOR		
	C 530	NEA70GM-107X	E CAPACITOR		
	C 531	NCB31CK-104X	C CAPACITOR		
	C 533	NCB31CK-104X	C CAPACITOR		
	C 534	NEA70GM-107X	E CAPACITOR		
	C 535	NCB31CK-104X	C CAPACITOR		
	C 536	NCB31CK-103X	C CAPACITOR		
	C 539	NCB31CK-104X	C CAPACITOR		
	C 540	NEA70GM-476X	E.CAPA. C.M.		
	C 541	NCB31CK-104X	C CAPACITOR		
	C 544	NCB31CK-104X	C CAPACITOR		
	C 547	NCB31CK-104X	C CAPACITOR		
	C 556	NEA70GM-107X	E CAPACITOR		
	C 566	NCB31CK-104X	C CAPACITOR		
	C 567	NEA70GM-476X	E.CAPA. C.M.		
	C 571	NEA70JM-226X	E CAPACITOR		
	C 572	NCB31CK-104X	C CAPACITOR		
	C 573	NCB31CK-104X	C CAPACITOR		
	CN101	QGF0501F2-30X	FC/FPC CONNECTOR	PU	
	CN201	QGF1016F2-15W	CONNECTOR	PU	
	CN202	QGF1016F2-06W	CONNECTOR	PU	
	CN502	QGB2027L1-10X	CONNECTOR	SYSTEM	
	CN503	QGB2027L1-26X	CONNECTOR	SYSTEM	
	D 101	RB521S-30	MG RESISTOR		
	D 501	1SR154-400-X	DIODE		
	FW801	QUM123-11DGZ4	PARA RIBON WIRE	TO CN703	
	FW802	QUM125-09DGZ4	PARA RIBON WIRE	TO CN702	
	FW803	QUM123-12Z4Z4	PARA RIBON WIRE	TO FW803	
	IC101	AN8703FH-V	IC		
	IC201	BA5983FM-X	IC		
	IC251	BA6664FM-X	LSI		
	IC301	MN103S28EGA	IC		
	<b>IC401</b>	<b>MN102L62GGY1</b>	IC	<b>ATTENTION</b>	
	<b>IC402</b>	<b>MR27V1602E1UTPX</b>	IC	<b>ATTENTION</b>	1-4,6,11-13
	<b>IC402</b>	<b>MR27V1602E2LTPX</b>	IC	<b>ATTENTION</b>	5,7-10,14-16
	IC451	S-93C66AFJ-X	IC		
	IC454	74VHC74MTC-X	IC		
	IC455	74VHC00MTC-X	IC		
	IC501	ZIVA-4.1-PA2	IC		
	IC503	74VHC00MTC-X	IC		
	IC504	K4S641632E-TC75	IC		
	IC571	CY24203SC-X	IC		

△	Item	Parts number	Parts name	Remarks	Area
	K 101	NQR0007-002X	FERRITE BEADS		
	K 301	NQR0007-002X	FERRITE BEADS		
	K 302	NQR0007-002X	FERRITE BEADS		
	K 303	NQR0007-002X	FERRITE BEADS		
	K 304	NQR0007-002X	FERRITE BEADS		
	K 401	NQR0007-002X	FERRITE BEADS		
	K 402	NQR0007-002X	FERRITE BEADS		
	K 501	NQR0007-002X	FERRITE BEADS		
	K 502	NQR0007-002X	FERRITE BEADS		
	K 504	NQR0201-001X	FERRITE BEADS		
	K 505	NQR0269-001X	FERRITE BEADS		
	K 506	NQR0007-002X	FERRITE BEADS		
	K 561	NQR0007-002X	FERRITE BEADS		
	K 562	NQR0007-002X	FERRITE BEADS		
	K 563	NQR0007-002X	FERRITE BEADS		
	K 565	NQR0007-002X	FERRITE BEADS		
	K 571	NQR0007-002X	FERRITE BEADS		
	K 575	NQR0007-002X	FERRITE BEADS		
	K 577	NQR0007-002X	FERRITE BEADS		
	K 578	NQR0007-002X	FERRITE BEADS		
	K 579	NQR0007-002X	FERRITE BEADS		
	Q 101	KTA1001/Y/-X	TRANSISTOR		
	Q 102	KTA1001/Y/-X	TRANSISTOR		
	Q 103	DTA144EE-X	DIGI TRANSISTOR		
	R 101	NRSA63J-333X	MG RESISTOR		
	R 102	NRSA63J-223X	MG RESISTOR		
	R 103	NRSA63J-223X	MG RESISTOR		
	R 104	NRS125J-270X	MG RESISTOR		
	R 105	NRS125J-270X	MG RESISTOR		
	R 106	NRSA63J-273X	MG RESISTOR		
	R 107	NRSA63J-273X	MG RESISTOR		
	R 108	NRSA63J-682X	MG RESISTOR		
	R 109	NRSA63J-102X	MG RESISTOR		
	R 110	NRSA63J-333X	MG RESISTOR		
	R 111	NRVA63D-243X	RES. C.M		
	R 112	NRSA63J-822X	MG RESISTOR		
	R 113	NRSA63J-103X	MG RESISTOR		
	R 114	NRSA63J-0R0X	MG RESISTOR		
	R 115	NRSA63J-0R0X	MG RESISTOR		
	R 116	NRSA63J-0R0X	MG RESISTOR		
	R 117	NRSA63J-0R0X	MG RESISTOR		
	R 119	NRSA63J-2R2X	MG RESISTOR		
	R 120	NRSA63J-2R2X	MG RESISTOR		
	R 125	NRSA63J-105X	MG RESISTOR		
	R 126	NRSA63J-105X	MG RESISTOR		
	R 127	NRSA63J-222X	MG RESISTOR		
	R 128	NRS125J-1R0X	MG RESISTOR		
	R 129	NRS125J-1R0X	MG RESISTOR		
	R 130	NRSA63J-182X	MG RESISTOR		
	R 201	NRSA63J-470X	MG RESISTOR		
	R 202	NRS125J-1R0X	MG RESISTOR		
	R 203	NRSA63J-0R0X	MG RESISTOR		
	R 204	NRSA63J-273X	MG RESISTOR		
	R 205	NRSA63J-273X	MG RESISTOR		
	R 206	NRSA63J-303X	MG RESISTOR		
	R 207	NRSA63J-303X	MG RESISTOR		
	R 208	NRSA63J-223X	MG RESISTOR		
	R 209	NRSA63J-223X	MG RESISTOR		
	R 210	NRSA63J-242X	MG RESISTOR		
	R 211	NRSA63J-242X	MG RESISTOR		
	R 212	NRSA63J-103X	MG RESISTOR		
	R 213	NRSA63J-103X	MG RESISTOR		

**ATTENTION:Please exchange "IC401" and "IC402" absolutely by the pair.**

Explanation of area column

1 =XV-S30BK ver. C  
2 =XV-S30BK ver. J  
3 =XV-S40BK ver. C  
4 =XV-S40BK ver. J

5 =XV-S42SL ver. A  
6 =XV-S42SL ver. C  
7 =XV-S42SL ver. UG  
8 =XV-S42SL ver. UP

9 =XV-S42SL ver. US  
10 =XV-S42SL ver. UW  
11 =XV-S45GD ver. J  
12 =XV-E100SL ver. J

13 =XV-E100SL ver. C  
14 =XV-E100SL ver. UB  
15 =XV-E100SL ver. UP  
16 =XV-E100SL ver. US

■ Electrical parts list (Servo control board)

Block No. 02

△	Item	Parts number	Parts name	Remarks	Area
	R 214	NRSA63J-103X	MG RESISTOR		
	R 215	NRSA63J-103X	MG RESISTOR		
	R 216	NRSA63J-912X	MG RESISTOR		
	R 219	NRSA63J-183X	MG RESISTOR		
	R 220	NRSA63J-183X	MG RESISTOR		
	R 221	NRSA63J-682X	MG RESISTOR		
	R 222	NRSA63J-103X	MG RESISTOR		
	R 223	NRSA63J-912X	MG RESISTOR		
	R 251	NRS125J-R47X	MG RESISTOR		
	R 252	NRSA63J-2R2X	MG RESISTOR		
	R 253	NRSA63J-0R0X	MG RESISTOR		
	R 254	NRSA63J-203X	MG RESISTOR		
	R 255	NRSA63J-103X	MG RESISTOR		
	R 256	NRSA63J-470X	MG RESISTOR		
	R 258	NRSA63J-0R0X	MG RESISTOR		
	R 259	NRSA63J-103X	MG RESISTOR		
	R 301	NRSA63J-473X	MG RESISTOR		
	R 302	NRSA63J-473X	MG RESISTOR		
	R 303	NRSA63J-473X	MG RESISTOR		
	R 304	NRSA63J-473X	MG RESISTOR		
	R 305	NRSA63J-473X	MG RESISTOR		
	R 306	NRSA63J-473X	MG RESISTOR		
	R 307	NRSA63J-473X	MG RESISTOR		
	R 308	NRSA63J-0R0X	MG RESISTOR		
	R 309	NRSA63J-473X	MG RESISTOR		
	R 313	NRSA63J-473X	MG RESISTOR		
	R 317	NRSA63J-473X	MG RESISTOR		
	R 319	NRSA63J-473X	MG RESISTOR		
	R 320	NRSA63J-0R0X	MG RESISTOR		
	R 321	NRSA63J-473X	MG RESISTOR		
	R 322	NRSA63J-0R0X	MG RESISTOR		
	R 323	NRSA63J-473X	MG RESISTOR		
	R 324	NRSA63J-473X	MG RESISTOR		
	R 325	NRSA63J-123X	MG RESISTOR		
	R 326	NRSA63J-473X	MG RESISTOR		
	R 327	NRSA63J-105X	MG RESISTOR		
	R 328	NRSA63J-153X	MG RESISTOR		
	R 329	NRSA63J-473X	MG RESISTOR		
	R 330	NRSA63J-473X	MG RESISTOR		
	R 331	NRSA63J-473X	MG RESISTOR		
	R 332	NRSA63J-102X	MG RESISTOR		
	R 333	NRSA63J-682X	MG RESISTOR		
	R 334	NRSA63J-102X	MG RESISTOR		
	R 336	NRSA63J-273X	MG RESISTOR		
	R 337	NRSA63J-273X	MG RESISTOR		
	R 338	NRSA63J-472X	MG RESISTOR		
	R 339	NRSA63J-472X	MG RESISTOR		
	R 340	NRSA63J-103X	MG RESISTOR		
	R 341	NRSA63J-562X	MG RESISTOR		
	R 402	NRSA63J-472X	MG RESISTOR		
	R 403	NRSA63J-0R0X	MG RESISTOR		
	R 404	NRSA63J-0R0X	MG RESISTOR		
	R 405	NRSA63J-0R0X	MG RESISTOR		
	R 406	NRSA63J-0R0X	MG RESISTOR		
	R 411	NRSA63J-472X	MG RESISTOR		
	R 413	NRSA63J-472X	MG RESISTOR		
	R 414	NRSA63J-472X	MG RESISTOR		
	R 421	NRSA63J-0R0X	MG RESISTOR		
	R 422	NRSA63J-472X	MG RESISTOR		
	R 423	NRSA63J-472X	MG RESISTOR		
	R 424	NRSA63J-472X	MG RESISTOR		
	R 427	NRSA63J-0R0X	MG RESISTOR		
	R 428	NRSA63J-472X	MG RESISTOR		
	R 431	NRSA63J-472X	MG RESISTOR		
	R 432	NRSA63J-472X	MG RESISTOR		
	R 453	NRSA63J-102X	MG RESISTOR		
	R 501	NRSA63J-102X	MG RESISTOR		

See Table-1  
See Table-1  
See Table-1  
See Table-1

△	Item	Parts number	Parts name	Remarks	Area
	R 502	NRSA63J-472X	MG RESISTOR		
	R 504	NRSA63J-330X	MG RESISTOR		
	R 506	NRSA63J-330X	MG RESISTOR		
	R 507	NRSA63J-330X	MG RESISTOR		
	R 508	NRSA63J-330X	MG RESISTOR		
	R 509	NRSA63J-330X	MG RESISTOR		
	R 510	NRSA63J-330X	MG RESISTOR		
	R 511	NRSA63J-330X	MG RESISTOR		
	R 512	NRSA63J-330X	MG RESISTOR		
	R 513	NRSA63J-330X	MG RESISTOR		
	R 514	NRSA63J-330X	MG RESISTOR		
	R 515	NRSA63J-330X	MG RESISTOR		
	R 516	NRSA63J-330X	MG RESISTOR		
	R 517	NRSA63J-330X	MG RESISTOR		
	R 518	NRSA63J-330X	MG RESISTOR		
	R 519	NRSA63J-330X	MG RESISTOR		
	R 520	NRSA63J-330X	MG RESISTOR		
	R 521	NRSA63J-330X	MG RESISTOR		
	R 522	NRSA63J-330X	MG RESISTOR		
	R 524	NRSA63J-181X	MG RESISTOR		
	R 527	NRSA63J-181X	MG RESISTOR		
	R 528	NRSA63J-102X	MG RESISTOR		
	R 529	NRSA63J-181X	MG RESISTOR		
	R 532	NRSA63J-102X	MG RESISTOR		
	R 533	NRSA63J-330X	MG RESISTOR		
	R 534	NRSA63J-330X	MG RESISTOR		
	R 535	NRSA63J-330X	MG RESISTOR		
	R 536	NRSA63J-330X	MG RESISTOR		
	R 537	NRSA63J-330X	MG RESISTOR		
	R 538	NRSA63J-330X	MG RESISTOR		
	R 539	NRSA63J-330X	MG RESISTOR		
	R 540	NRSA63J-330X	MG RESISTOR		
	R 541	NRSA63J-0R0X	MG RESISTOR		
	R 542	NRSA63J-0R0X	MG RESISTOR		
	R 543	NRSA63J-0R0X	MG RESISTOR		
	R 545	NRSA63J-472X	MG RESISTOR		
	R 546	NRSA63J-181X	MG RESISTOR		
	R 547	NRSA63J-222X	MG RESISTOR		
	R 548	NRSA63J-332X	MG RESISTOR		
	R 552	NRSA63J-0R0X	MG RESISTOR		
	R 555	NRSA02J-0R0X	MG RESISTOR		
	R 571	NRSA63J-330X	MG RESISTOR		
	R 572	NRSA63J-0R0X	MG RESISTOR		
	R 573	NRSA63J-0R0X	MG RESISTOR		
	R 575	NRSA63J-103X	MG RESISTOR		
	R 576	NRSA63J-103X	MG RESISTOR		
	R 577	NRSA63J-470X	MG RESISTOR		
	X 571	NAX0513-001X	CRYSTAL		

Table-1

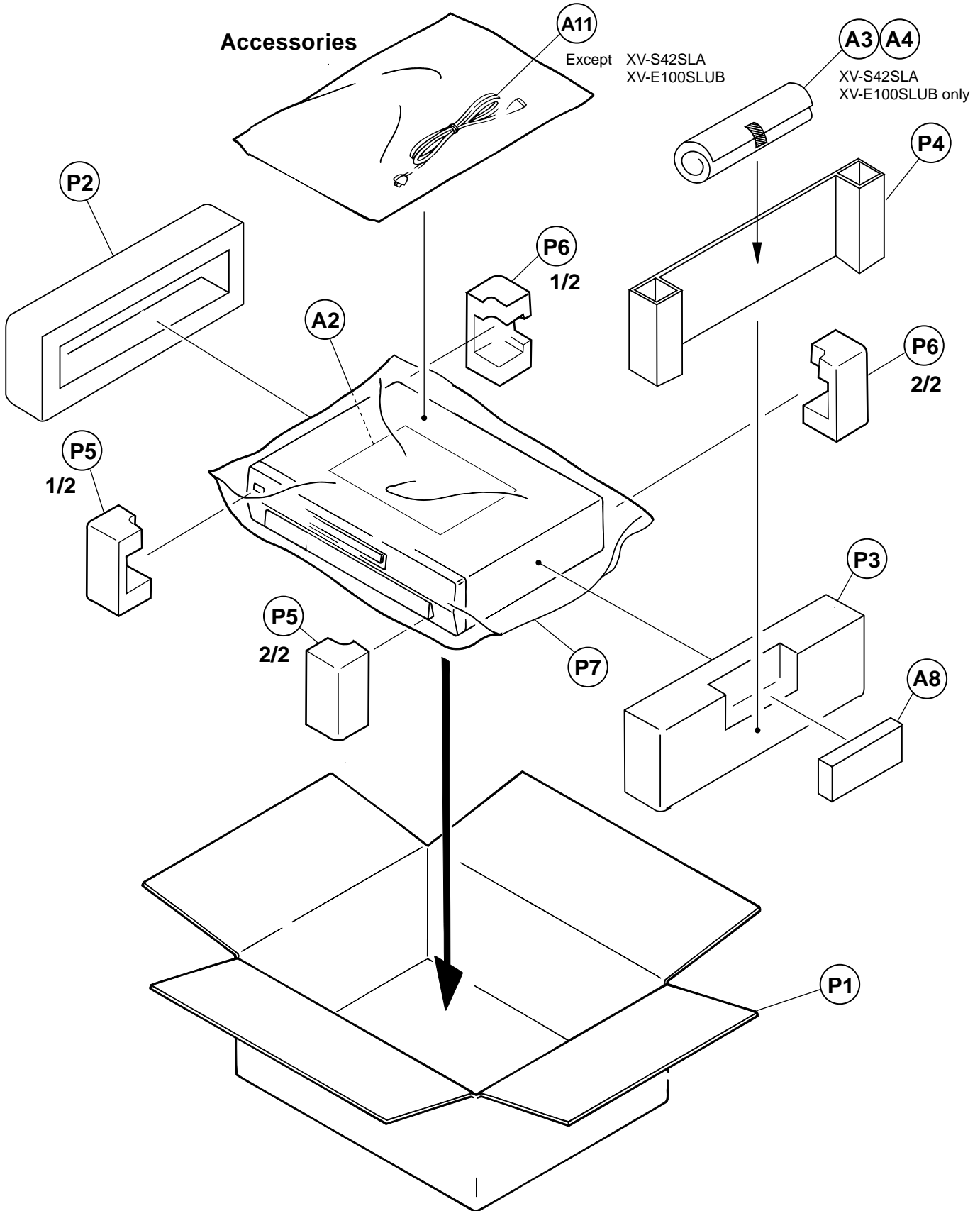
Model	Item	R403	R404	R405	R406
XV-S30BK	ver. C,J		○		
XV-S40BK	ver. C,J		○	○	○
XV-S42SL	ver. A			○	
XV-S42SL	ver. C		○	○	○
XV-S42SL	ver. UG		○		○
XV-S42SL	ver. UP,US	○			○
XV-S42SL	ver. UW		○	○	
XV-S45GD	ver. J		○	○	○
XV-E100SL	ver. J,C		○	○	○
XV-E100SL	ver. UB	○	○	○	
XV-E100SL	ver. UP,US	○			○

○ = Used model

# Packing materials and accessories parts list

Block No. M4MM

Block No. M5MM





■ Parts list (Packing)

Block No. M4MM

△	Item	Parts number	Parts name	Q'ty	Description	Area	
	P 1	GN10015-011A	PACKING CASE	1		1	
		GN10015-004A	PACKING CASE	1		10	
		LE30945-065A	PACKING CASE	1		11	
		LE30945-039A	PACKING CASE	1		12,13	
		LE30945-043A	PACKING CASE	1		14	
		LE30945-042A	PACKING CASE	1		15,16	
		LE30945-066A	PACKING CASE	1		2	
		LE30945-063A	PACKING CASE	1		3,4	
		GN10015-005A	PACKING CASE	1		5	
		LE30945-064A	PACKING CASE	1		6	
		GN10015-007A	PACKING CASE	1		7	
		GN10015-006A	PACKING CASE	1		8,9	
		P 2	LE20609-001A	PACKING PAD(L)	1		5,7,8,9,10
			LE20588-001A	PACKING PAD(L)	1		14,15,16
	P 3	LE20610-001A	PACKING PAD(R)	1		5,7,8,9,10	
		LE20589-001A	PACKING PAD(R)	1		14,15,16	
	P 4	LE30920-001A	SHEET ASSY	1		14	
		LE30920-002A	SHEET ASSY	1		5	
	P 5	LE20607-001A	PACKING PAD(F)	1		1,2,3,4,6,11	
		LE20543-001A	PACKING PAD(F)	1		12,13	
	P 6	LE20608-001A	PACKING PAD(R)	1		1,2,3,4,6,11	
		LE20544-001A	PACKING PAD(R)	1		12,13	
	P 7	QPC06005515P	POLY BAG	1			

Explanation of area column

1 =XV-S30BK ver. C	5 =XV-S42SL ver. A	9 =XV-S42SL ver. US	13 =XV-E100SL ver. C
2 =XV-S30BK ver. J	6 =XV-S42SL ver. C	10 =XV-S42SL ver. UW	14 =XV-E100SL ver. UB
3 =XV-S40BK ver. C	7 =XV-S42SL ver. UG	11 =XV-S45GD ver. J	15 =XV-E100SL ver. UP
4 =XV-S40BK ver. J	8 =XV-S42SL ver. UP	12 =XV-E100SL ver. J	16 =XV-E100SL ver. US

■ Parts list (Accessories)

Block No. M5MM

△	Item	Parts number	Parts name	Q'ty	Description	Area
	A 1	LET0178-003C	INST BOOK	1		1,3,6,13
		LET0178-016A	INST BOOK	1		10
		LET0178-002D	INST BOOK	1		2,4,11,12
		LET0178-010A	INST BOOK	1		9,14,16
		LET0178-012A	INST BOOK	1		8,15
		LET0178-013A	INST BOOK	1		5
		LET0178-011A	INST BOOK	1		7
	A 2	LE40805-001B	INST SHEET	1		
△	A 3	QMPP060-183-JD	POWER CORD	1		14
△		QMP25D0-183	POWER CORD	1		5
	A 4	QPC02503510P	POLY BAG	1		5,14
	A 5	BT-52004-2	WARRANTY CARD	1		1,3,6,13
		BT-56001-2	WARRANTY CARD	1		5
	A 6	BT-20071B	JVC CENTER LIST	1		1,3,6,13
		BT-56002-2	SVC CENTER LIST	1		5
	A 7	QAM0328-001	AV CORD 3P	1		
	A 8	RM-SXVS40A	REMOCON UNIT	1		1,2,3,4
		RM-SXVS42U	REMOCON UNIT	1		5,7,8,9,10,14,15,16
		RM-SXVS42A	REMOCON UNIT	1		6,11,12,13
	A 9	-----	BATTERY	2		
	A 10	QPC02504015P	POLY BAG	1		
△	A 11	QMPE200-183-JC	POWER CORD	1		1-4,6,11-13
△		QMPL150-183-JC	POWER CORD	1		9,10,16
△		VMP0121-001	POWER CORD	1		8,15
△		QMPS060-160-E2	POWER CORD	1		7
	A 12	QAM0112-001	AC PLUG ADAPTER	1		9,10,16
		QAM0027-001	SIEMENS PLUG	1		7
	A 13	BT-51028-1	J=REGIST CARD	1		2,4,11,12
	A 14	YU20333	SAFETY INST.	1		2,4,11,12
	A 15	LV30258-080A	UB SHEET	1		14

Explanation of area column

1 =XV-S30BK ver. C	5 =XV-S42SL ver. A	9 =XV-S42SL ver. US	13 =XV-E100SL ver. C
2 =XV-S30BK ver. J	6 =XV-S42SL ver. C	10 =XV-S42SL ver. UW	14 =XV-E100SL ver. UB
3 =XV-S40BK ver. C	7 =XV-S42SL ver. UG	11 =XV-S45GD ver. J	15 =XV-E100SL ver. UP
4 =XV-S40BK ver. J	8 =XV-S42SL ver. UP	12 =XV-E100SL ver. J	16 =XV-E100SL ver. US